

# TECHNICAL DATA SHEET

**BRISTAN**  
TAPS & SHOWERS

## PISA Bath Filler

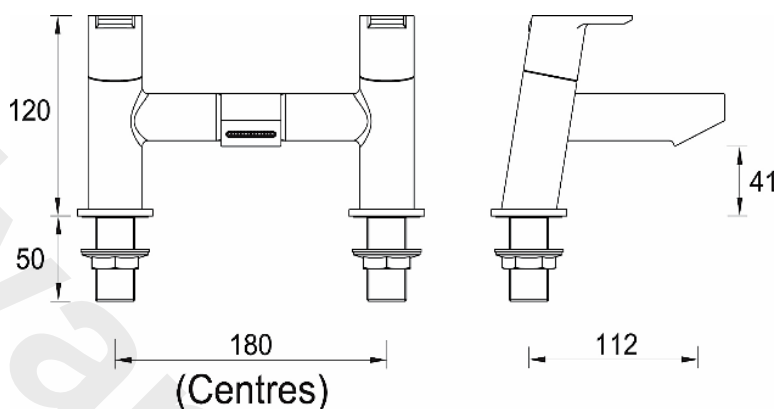
### Product Specification

Product Code:	PS BF C
Finish:	Chrome plated
Product Type:	Contemporary
Construction:	Bodies are of all brass construction and designed to conform to BS EN 200
Valve Type:	3/4" Ceramic disc valve 3/4 turn
Supply:	Suitable for all plumbing systems
Inlet Connections:	3/4" BSP threaded tail
Working Pressures:	Min 0.2 Bar Max 7.0 Bar



### Additional Information

- Supplied with metal handles.
- Supplied with metal backnuts.
- Chrome plated to BS EN 248.



### Flow Rates (litres per minute)

System Pressure	0.2bar	0.5bar	1.0 bar	2.0 bar	3.0bar	5.0bar
PS BF C (hot)	13.42	21.15	26.24	38.68	48.01	60.98
PS BF C (cold)	13.62	21.42	28.27	40.87	50.18	64.87
PS BF C (mixed)	18.84	30.36	39.73	58.75	69.43	86.54

### Compliance / Approvals

WRAS Approval No: 1609014

**Technical Advice:** For further information please call 0844 7016273 or email [customercare@bristan.com](mailto:customercare@bristan.com).

**Guarantee:** 5 years covering manufacturing faults.

Bristan, Birch Coppice Business Park, Dordon, Tamworth, B78 1SG  
Telephone: 0844 701 6274 Facsimile: 0844 701 6275  
Web Site: [www.bristan.com](http://www.bristan.com) Email: [enquire@bristan.com](mailto:enquire@bristan.com)



The information contained on this page was correct at date of issue. Fitting dimensions are provided as a guide only. Some variation may occur due to manufacturing tolerances. Bristan pursues a policy of continuing improvement in design and performance of its products and so reserves the right to change specifications without prior notice.